

NO: 009

Focus: [G2RL-TP](#) Relays

G2RL with Quick Connects: Excellent up to 105°C

The G2RL-TP Relay models work well in high heat applications like Convection Ovens, Heater Elements, and Power Supplies. It is critical that the components going into these products perform well at high ambient temperature; Omron offers a solution with this relay (see the chart below):

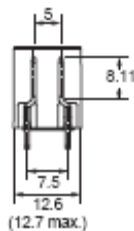
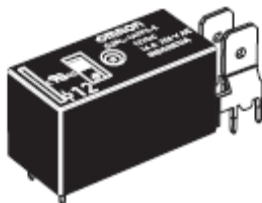


Model Type	UL/VDE Res. Load Rating	Pilot Duty Rating
G2RL-1ATP5-E	16A, 250VAC, 100K Cycles @ 105°C	B300 Pilot Duty @ 105C
G2RL-1ATP7-E	16A, 250VAC, 100K Cycles @ 105°C	B300 Pilot Duty @ 105C

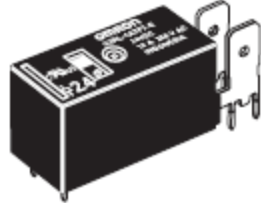
The **Quick Connect** load terminals allow for easy wiring and, at the same time, eliminates the need for large traces on the PC Board.

The G2RL-TP comes in two terminal styles: **RAST 5**, which is popular in Europe, and **7.5mm** spaced terminals. Please see these terminal styles below:

RAST 5 Terminals







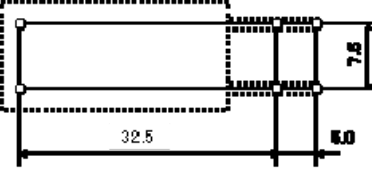
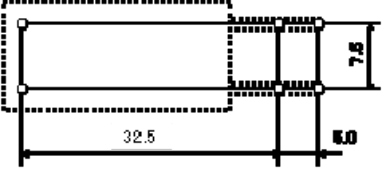
7.5mm Terminals



Competitors: American Zettler AZ762F, Song Chuan 881WP, Tyco (Schrack) RFH, Tyco (Schrack) V23077

...

Competitive Comparison: G2RL-TP versus RFH and 881WP:

OMRON G2RL-TP	Schrack RFH	Song Chuan 881WP
 <p>40.4L x 12.6W x 15.9H</p>	 <p>40.5L x 13.2W x 16.0H</p>	 <p>40.2L x 12.7W x 15.7H</p>
<p><u>UL/VDE E-Life:</u> 16A 250VAC at 105°C : 100k ops (VDE/UL)</p>	<p><u>UL/VDE E-Life:</u> 16A 250VAC at 105°C : 50kops (VDE/UL)</p>	<p><u>UL/VDE E-Life:</u> 17A 277VAC (UL) 17A 250VAC at 105°C</p>
<p><u>Mechanical Life:</u> 20 Million Operations</p>	<p><u>Mechanical Life:</u> 10 Million Operations</p>	<p><u>Mechanical Life:</u> 10 Million Operations</p>
<p><u>Terminal Types:</u> Rast 5 and 7.5mm Pitch, Vertical Orientation</p>	<p><u>Terminal Types:</u> 7.5mm Pitch, Horizontal and Vertical Orientation</p>	<p><u>Terminal Types:</u> Rast 5 and 7.5mm Pitch, Horizontal and Vertical Orientation</p>
<p><u>Contact Form:</u> SPST-NO</p>	<p><u>Contact Form:</u> SPST-NO SPST-NC</p>	<p><u>Contact Form:</u> SPST-NO</p>
<p><u>Vertical Mount Footprint:</u> Match with RFH and 881WP</p>	<p><u>Vertical Mount Footprint:</u> Match with G2RL-TP and 881WP</p>	<p><u>Vertical Mount Footprint:</u> Match with G2RL-TP and RFH</p>
 <p>32.5 7.5 6.0</p>	 <p>32.5 7.5 6.0</p>	 <p>32.5 7.5 6.0</p>
<p><u>Enclosure Ratings:</u> Flux Tight</p>	<p><u>Enclosure Ratings:</u> Flux Tight and Sealed</p>	<p><u>Enclosure Ratings:</u> Flux Tight and Sealed</p>

For additional information on [G2RL-TP](#) please contact [Mark Boston](#).